

C405.2.1.3
Occupant
sensor
control
function in
open plan
office
areas.

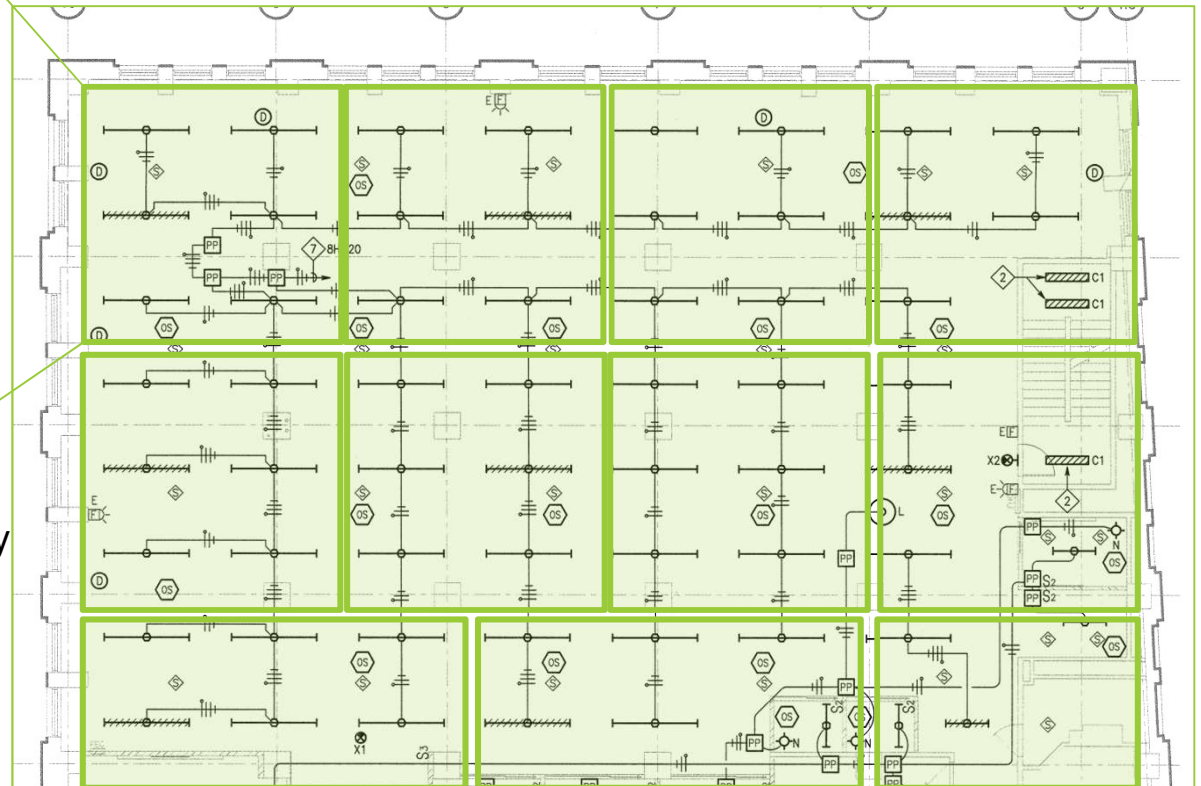
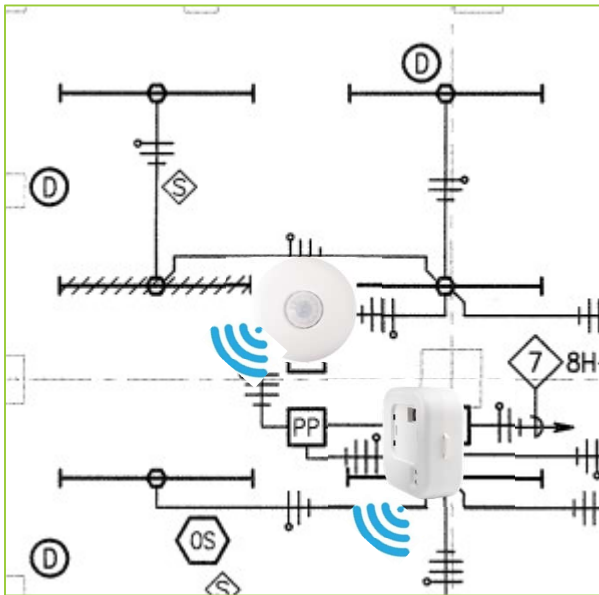
Occupant sensor controls in open plan office spaces less than 300 square feet (28 m²) in area shall comply with Section C405.2.1.1.

Occupant sensor controls in all other open plan office spaces shall comply with all of the following:

1. The controls shall be configured so that **general lighting can be controlled separately in control zones with floor areas not greater than 600 square feet (55 m²)** within the open plan office space.
2. The controls shall automatically turn off general lighting in all control zones within 20 minutes after all occupants have left the open plan office space.
3. The controls shall be configured so that **general lighting power in each control zone is reduced by not less than 80 percent of the full zone general lighting power in a reasonably uniform illumination pattern within 20 minutes of all occupants leaving that control zone.** Control functions that switch control zone lights completely off when the zone is vacant meet this requirement.
4. The controls shall be configured such that **any daylight responsive control will activate open plan office space general lighting or control zone general lighting only when occupancy for the same area is detected.**

IECC 2018

The controls shall automatically turn off general lighting in all control zones within 20 minutes after all occupants have left the open plan office space.



- General lighting controlled separately in control zones with floor areas not greater than 600 square feet
- Zone must be reduced by not less than 80% when unoccupied for 20 minutes.